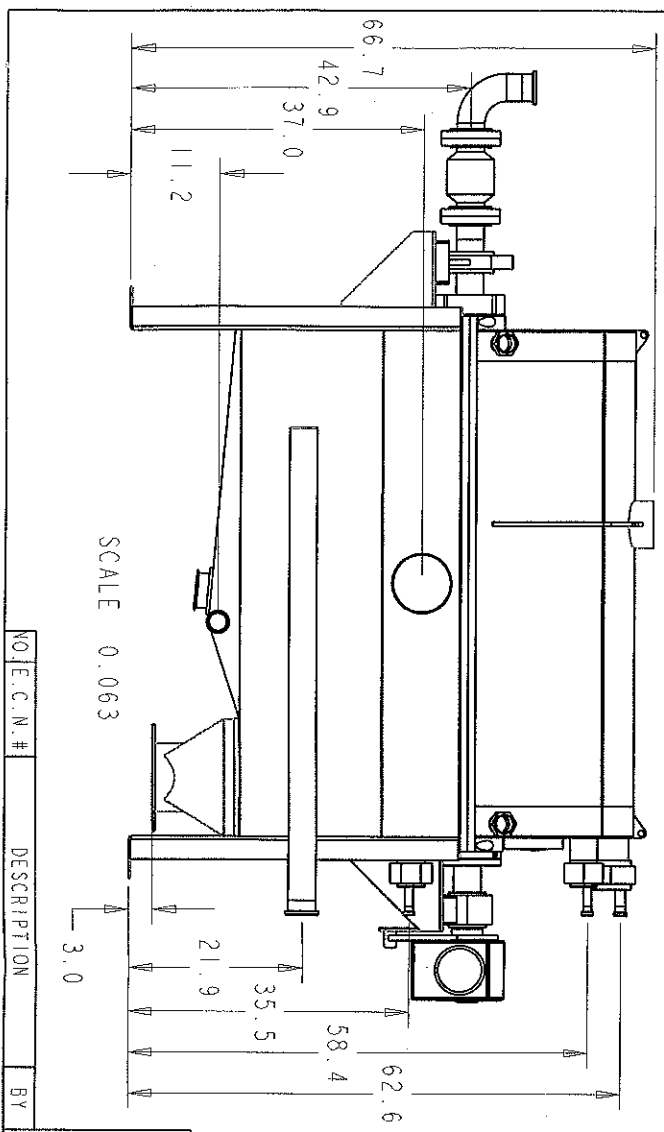


JOB #	QTY	SO #	STEP

ASSY
CUT
SAW
N.C.
FORM
MACH



SCALE 0.063

NO.	E.C.N.#	DESCRIPTION	BY

ITEM	QTY	PART NO.	DESCRIPTION	DWG SIZE
15	1	5350083_PL	3 IN SS ROTARY UNION	
14	1	5420442	GEARMOTOR NORD 1HP SK9032	
13	1	5400090	MECO 3-7/16 SPLIT SEAL	
12	1	5400087	CHESTERTON 3.5" ROTARY SEAL	
11	1	5100075	COLLAR 2-PIECE 2.75 I.D.	
10	1	5050528	3-7/16 SPLIT BEARING	
9	1	5050200	BEARING 3" PILLOW BLOCK	
8	1	3990232	COVER ASSEMBLY	
7	1	3990214	ELBOW ASSEMBLY	
6	2	3990186	CIP OUTER DRUM	
5	1	3990164	DRUM ASSY OUTER .020	
4	1	3990157	CIP ASSY UPPER COVER	
3	1	3990153	TANK CIP W/DMT	
2	1	3990130	TANK ASSY	
1	1	3155195	3 IN WELD FLANGE	

LYCO Manufacturing, Inc.
Leaders in the food processing industry.

ALL DIMENSIONS IN INCHES UNLESS NOTED
TOLERANCES:
FRACTIONS 1/32
DECIMALS .005
DECIMALS .005
BENDS:
UNDER 18GA ± .020
18GA ± .040
OVER 18GA ± .060

SCALE: 10.000	WEIGHT: ? LBS	DRAWN BY: DDM
DATE: 25-JUN-01	JOB #: A - ???	TITLE: BDDS ROTARY SCREEN
CUSTOMER: CUSTOMER	PROTOTYPE REBUILD	N.C. NUMBER: 3990212
		DWG NUMBER: 3990212

